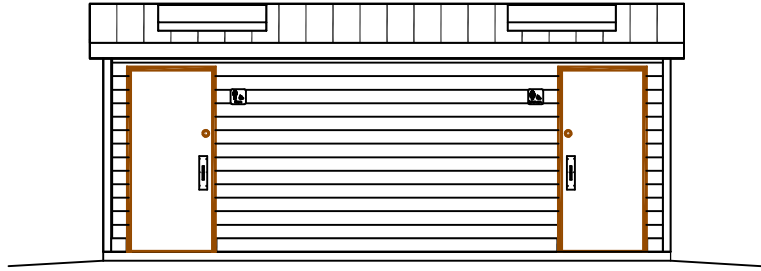
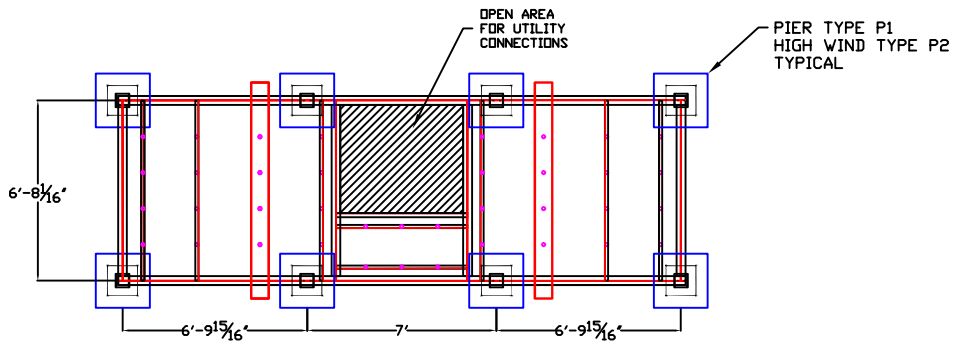


**FLOOR PLAN**

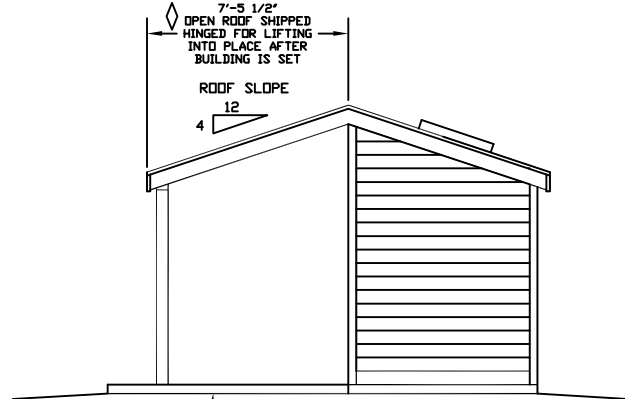


**FRONT ELEVATION**

**NOTE:**  
LANDINGS, WALKWAYS, AND OR RAMPS ARE TO BE FIELD INSTALLED BY OTHERS AS REQUIRED TO MEET LOCAL HANDICAP REQUIREMENTS.



**PIER LOCATION PLAN**



**RIGHT ELEV.**

CONCRETE BY OTHERS

**CXT25-RF-8.0X22 EXTENDED ROOF KIT OPTION**

◇ SYMBOL SUPPLIED BY MANUFACTURER AND INSTALLED BY OTHERS.  
 ◆ SYMBOL SUPPLIED AND INSTALLED BY OTHERS.  
 NOTE: AMMENTITIES SUPPLIED MAY BE RELOCATED TO ACCOMIDATE TRAFFIC OR USE PATTERN WITHOUT DEVIATING FROM ADA RULES BUILDING CODES AND MODULAR SHIPPING ABILITY.

**MODEL: R32-822, 2 TOILET, 2 LAVATORY SINGLE USE RESTROOM BUILDING**

